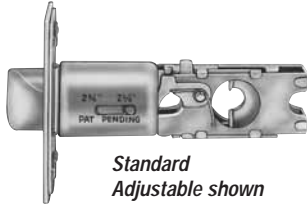


LOCKSET COMPONENTS & ACCESSORIES

TUBULAR LOCKSET LATCHBOLTS

For Wynnewood (pg. 5), Rittenhouse (pgs. 6-7), Chesapeake (pg. 8), Valley Forge (pgs. 12-13), Gettysburg (pgs. 14-15), Briarwood (pg. 16), Gladwyne (pg. 20) and Cheltenham (pg. 21) series locksets



Standard Adjustable shown



Round Drive-In

STANDARD

CODE	BACKSET	FUNCTION	CORNER	FINISH	PACK	INNER	MASTER
07037	6 Way	Deadlatch	Sq. & Radius	Brass/US3	Clamshell	6♦	120
07011	Adjustable	Deadlatch	Radius	Brass/US3	Bulk	50	200
07003	Adjustable	Deadlatch	Square	Brass/US3	Bulk	50	200
06912*	2-3/4"	Deadlatch	Square	Brass/US3	Bulk	50	200
06958	2-3/8"	Springlatch	Square	Brass/US3	Bulk	1	200
06940*	2-3/8"	Springlatch	Radius	Brass/US3	Bulk	50	200
06921 NEW	Adjustable	Springlatch	Radius	Brass/US3	Polybag	50	200
07021 NEW	6 Way	Springlatch	Sq. & Radius	Brass/US3	Polybag	20	100
07009	Adjustable	Deadlatch	Square	Antique Brass/US5	Bulk	50	200
07007	Adjustable	Deadlatch	Radius	Antique Brass/US5	Bulk	50	200
06922 NEW	2-3/8"	Deadlatch	Radius	Antique Brass/US5	Bulk	50	200
07041	6 Way	Deadlatch	Sq. & Radius	Satin Nickel/US15	Clamshell	6♦	120
07042	6 Way	Deadlatch	Sq. & Radius	Satin Chrome/US26D	Clamshell	6♦	120
07056	Adjustable	Deadlatch	Square	Satin Chrome/US26D	Polybag	50	200
07057	Adjustable	Deadlatch	Radius	Satin Chrome/US26D	Polybag	50	200

DRIVE-IN

CODE	BACKSET	FUNCTION	CORNER	FINISH	PACK	INNER	MASTER
07001	2-3/8"	Deadlatch	—	Brass/US3	Bulk	12	240
07023	2-3/8"	Springlatch	—	Brass/US3	Bulk	12	240
07002	2-3/4"	Deadlatch	—	Brass/US3	Bulk	50	200
07024	2-3/4"	Springlatch	—	Brass/US3	Bulk	12	240

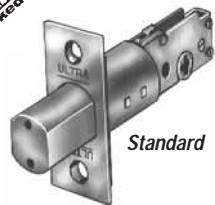
For Chestnut Hill (pg. 2), Lancaster (pg. 8), Strathmere (pg. 9) and Sturbridge (pgs. 10-11) series locksets



CODE	BACKSET	FUNCTION	CORNER	FINISH	PACK	INNER	MASTER
07036	6 Way	Deadlatch	Sq. & Radius	Brass/US3	Carded	12	120
07053	6 Way	Deadlatch	Sq. & Radius	Antique Brass/US5	Clamshell	12	120
07051	6 Way	Deadlatch	Sq. & Radius	Satin Nickel/US15	Clamshell	12	120
07054	6 Way	Deadlatch	Radius	Chrome/US26	Clamshell	12	120
07052	6 Way	Deadlatch	Radius	Satin Chrome/US26D	Clamshell	12	120

TUBULAR DEADBOLT LATCHBOLTS

For Wynnewood (pg. 5), Rittenhouse (pgs. 6-7), Chesapeake Combo Deadbolts (pg. 8), Valley Forge (pgs. 12-13), Gettysburg (pgs. 14-15), Ultra 3000 & 3500 series (pgs. 18), Gladwyne (pg. 20) and Cheltenham (pg. 21) series deadbolts



Standard



Round Drive-In

STANDARD

CODE	BACKSET	FUNCTION	CORNER	FINISH	PACK	INNER	MASTER
07039	6 Way	Deadbolt	—	Brass/US3	Clamshell	6♦	120
07022 NEW	6-Way	Deadbolt	—	Brass/US3	Polybag	20	100
07004	Adjustable	Deadbolt	—	Brass/US3	Bulk	50	200
06885*	2-3/8"	Deadbolt	Square	Brass/US3	Bulk	50	200
07006	Adjustable	Deadbolt	—	Antique Brass/US5	Bulk	50	200
07046*	6 Way	Deadbolt	—	Satin Nickel/US15	Clamshell	6♦	120
06880*	Adjustable	Deadbolt	Radius	Satin Nickel/US15	Bulk	50	200

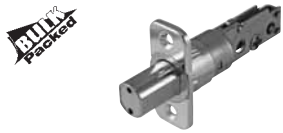
DRIVE-IN

CODE	BACKSET	FUNCTION	CORNER	FINISH	PACK	INNER	MASTER
98525	2-3/8"	Deadbolt	—	Brass/US3	Bulk	50	250
98526	2-3/4"	Deadbolt	—	Brass/US3	Bulk	50	250

Springlatch used for passage and privacy locksets • Deadlatch used for entry and storeroom locksets

TUBULAR DEADBOLT LATCHBOLTS *continued*

For Chestnut Hill (pg. 2), Lancaster (pg. 8), Strathmere (pg. 9) and Sturbridge (pgs. 10-11) series locksets



CODE	BACKSET	FUNCTION	CORNER	FINISH	PACK	INNER	MASTER
07038	6 Way	Deadlatch	—	Brass/US3	Carded	12	120

For Ultra 9800 (pg. 28) series deadbolts



STANDARD

CODE	BACKSET	FUNCTION	CORNER	FINISH	PACK	INNER	MASTER
06949	2-3/4"	Deadbolt	—	Brass/US3	Bulk	10	100
06946	2-3/8"	Deadbolt	—	Stainless Steel/US32	Bulk	100	200
06948	2-3/4"	Deadbolt	—	Stainless Steel/US32	Bulk	10	100



DRIVE-IN

CODE	BACKSET	FUNCTION	CORNER	FINISH	PACK	INNER	MASTER
06942	2-3/8"	Deadbolt	—	Brass/US3	Bulk	100	200
06943	2-3/4"	Deadbolt	—	Brass/US3	Bulk	100	200

CYLINDRICAL LOCKSET LATCHBOLTS

Grade 2; For Ultra 5200 (pg. 26) series ball knob locks and 3600 (pg. 28) & 6600 (pg. 27-28) ADA handicap lever locks



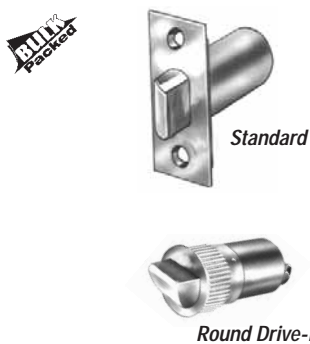
STANDARD

CODE	BACKSET	FACE PLATE	FUNCTION	UL LISTED	FINISH	PACK	INNER	MASTER
06968	2-3/8"	1"	Springlatch	✓	Brass/US3	Bulk	20	200
06973	2-3/8"	1"	Deadlatch	✓	Brass/US3	Bulk	20	200
06944	2-3/8"	1"	Springlatch	N/A	Brass/US3	Bulk	20	200
06965	2-3/8"	1"	Deadlatch	N/A	Brass/US3	Bulk	20	200
06984 NEW	2-3/8"	1"	Deadlatch	✓	Stainless Steel/US32	Clamshell	12	72
06969	2-3/8"	1"	Springlatch	✓	Stainless Steel/US32	Bulk	20	200
06974	2-3/8"	1"	Deadlatch	✓	Stainless Steel/US32	Bulk	20	200
06945	2-3/8"	1"	Springlatch	N/A	Stainless Steel/US32	Bulk	20	200
06966	2-3/8"	1"	Deadlatch	N/A	Stainless Steel/US32	Bulk	20	200

DRIVE-IN

CODE	BACKSET	FACE PLATE	FUNCTION	UL LISTED	FINISH	PACK	INNER	MASTER
06937	2-3/8"	1"	Deadlatch	N/A	Stainless Steel/US32	Polybag	20	200
06939	2-3/4"	1"	Deadlatch	N/A	Stainless Steel/US32	Polybag	20	200

For Ultra 7000 series (pg. 24) and Quakertown series (pg. 24) ball knob locksets



STANDARD

CODE	BACKSET	FACE PLATE	FUNCTION	FINISH	PACK	INNER	MASTER
06988	2-3/8"	1"	Deadlatch	Brass/US3	Bulk	20	200
06987	2-3/4"	1"	Deadlatch	Brass/US3	Bulk	20	200
06930	Adjustable	1"	Deadlatch	Brass/US3	Bulk	20	200
06953	2-3/4"	1"	Springlatch	Stainless Steel/US32	Bulk	20	200
06989	2-3/8"	1"	Deadlatch	Stainless Steel/US32	Bulk	20	200
06992	2-3/4"	1"	Deadlatch	Stainless Steel/US32	Bulk	20	200
06931	Adjustable	1"	Deadlatch	Stainless Steel/US32	Bulk	20	200

DRIVE-IN

CODE	BACKSET	FACE PLATE	FUNCTION	FINISH	PACK	INNER	MASTER
06997	2-3/4"	1"	Springlatch	Chrome/US26	Bulk	1	200

MORTISE LATCHBOLTS

Fits most interior mortise locksets; Standard 5-1/16" square spindle mortise latchbolt; For right or left hand application



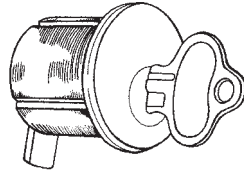
CODE	BACKSET	STYLE	FACE PLATE	FINISH	PACK	INNER	MASTER
07010	2-3/8"	Light Duty	Passage	Brass/US3	Polybag	12	240
07020	2-3/4"	Heavy Duty	Privacy/Passage	Brass/US3	Boxed	1	120

Springlatch used for passage and privacy locksets • Deadlatch used for entry and storeroom locksets

NARROW STYLE DEADLOCKS & STOREFRONT ACCESSORIES

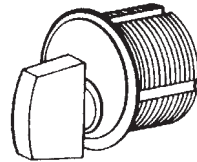
Screw-in Mortise Cylinders

For use in storefront, mortise & jimmyproof locks; 5-Pin tumblers; Includes large and small tailpieces; Furnished with 2 keys, extra cam and trim ring



CODE	MATERIAL	SIZE	KEY	FINISH	PACK	INNER	MASTER
SE1 Keyway							
17015	Solid Brass	1"	KA	Aluminum	2/Box	6	60
17020	Solid Brass	1-1/8"	KA	Aluminum	2/Box	6	60
17010	Solid Brass	1-1/8"	KA	Brass	Box	6◆	120
17021	Solid Brass	1-1/4"	KD	Aluminum	Box	6◆	120
17022	Solid Brass	1-1/4"	KD	Bronze	Box	6◆	120
SC1 Keyway							
16970	Solid Brass	1"	KD	Bronze	Box	6◆	120
17009	Solid Brass	1"	KD	Aluminum	Box	6◆	120
17011	Solid Brass	1"	KA2	Aluminum	2/Box	6◆	60
17016	Solid Brass	1-1/8"	KA	Aluminum	Box	6◆	120
KW1 Keyway							
17018	Solid Brass	1-1/8"	KA2	Bronze	2/Box	6◆	60
17023	Solid Brass	1-1/4"	KA2	Aluminum	2/Box	6	60
17028	Solid Brass	1-1/4"	KD	Brass	Box	6◆	120
17029	Solid Brass	1-1/4"	KA2	Brass	2/Box	6◆	60

Fits all brands of commercial mortise locks; Red dot indicator; Furnished with trim ring

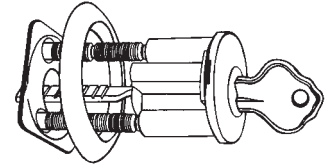


CODE	MATERIAL	SIZE	FINISH	PACK	INNER	MASTER
16995	Zinc	1"	Aluminum	Box	6◆	60
16996	Zinc	1"	Bronze	Box	6◆	120
17004	Solid Brass	1-1/8"	Aluminum	Box	6◆	120
17003	Solid Brass	1"	Aluminum	Box	6◆	120
17002	Solid Brass	1"	Bronze	Box	6◆	120

REPLACEMENT CYLINDERS

Deadlock Replacement Rim Cylinder

Solid brass face and trim ring; Rekeyable 5-pin tumbler cylinder; Furnished with solid brass tapered trim ring; Segal*, Kwikset*, Arrow*, and Schlage* keyways; Fits all doors 1-3/8" to 2" thick



CODE	FINISH	KEYED	PACK	INNER	MASTER
SE1 Keyway					
17000	Brass	KD	Box	6◆	120
17001	Brass	KA	Box	10	120
KW1 Keyway					
16907	Brass	KD	Card	12	96
16908	Brass	KA	Card	12	96
17007	Brass	KD	Box	6◆	120
17008	Brass	KA	Box	6◆	120
16985	Satin Chrome	KA	Box	6◆	120
16986	Satin Chrome	KD	Box	6◆	120
SC1 Keyway					
16910	Brass	KD	Box	6◆	120
16989	Satin Chrome	KA	Box	6◆	120
Y1 Keyway					
96318	Brass	KD	Card	10◆	80

Night Latch & Jimmy Proof Replacement Cylinder

Brass 5-pin tumbler; 1-3/8" diameter face plus trim ring; SC-1 Keyway; Furnished with 2" calibrated spindle



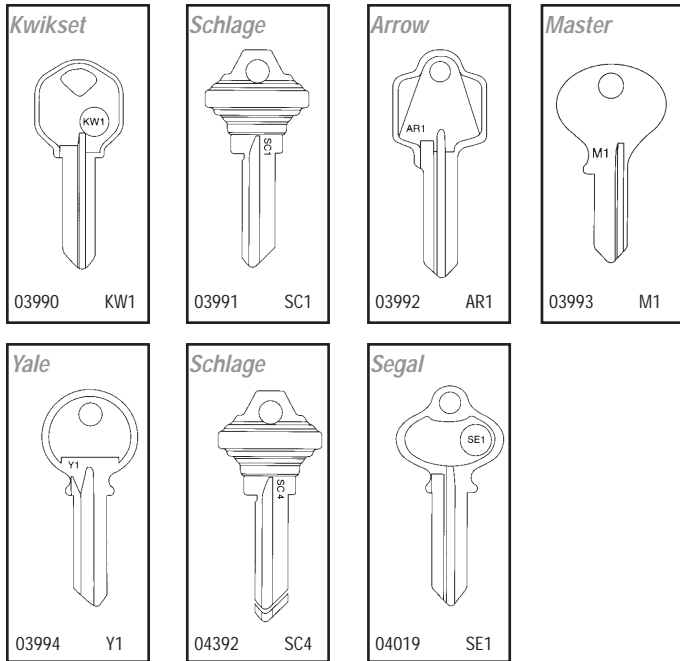
CODE	MATERIAL	KEYED	FINISH	PACK	INNER	MASTER
16950	Zinc	KD	Brass	Box	6◆	120
16955	Zinc	KA	Brass	Box	6◆	120

Springlatch used for passage and privacy locksets • Deadlatch used for entry and storeroom locksets

KEY BLANKS

Most Popular — Key Blanks

Sold by Ultra 250 blanks per box; Solid brass



DEADBOLT CYLINDER CAP REMOVAL TOOL

90035 - Fits Ultra Security, Cheltenham, Sturbridge and Strathmere combo sets and standard SC1 4500 series & 4700 series deadbolts

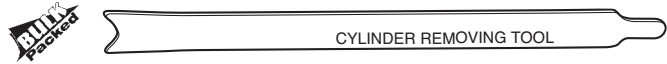
90028 - Fits MH deadbolts, Rittenhouse combo sets, Chesapeake combo set, Valley Forge, Gettysburg sets, Cheltenham and Gladwyne locks



CODE	PACK	INNER	MASTER
90035	Bulk	1	30
90028	Bulk	25	100

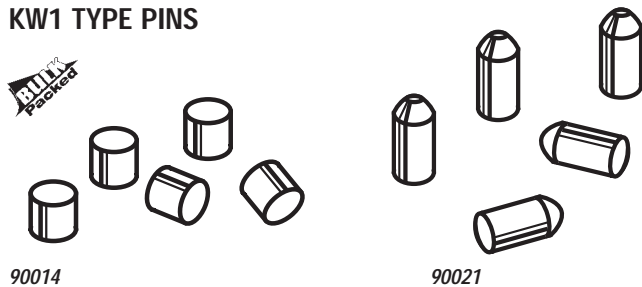
CYLINDER REMOVAL TOOL

90036 - Fits Rittenhouse, Ultra Security, Chesapeake, Valley Forge, Mobile Home and Gettysburg series



CODE	PACK	INNER	MASTER
90036	Bulk	100	600

KW1 TYPE PINS



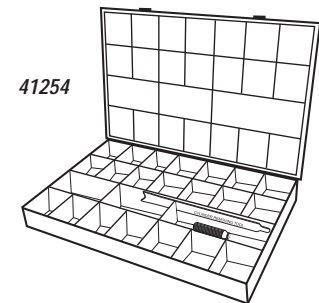
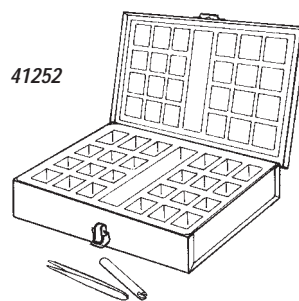
CODE	FUNCTION	PACK	INNER	MASTER
90009	Top Pin	Polybag	1	100/Bulk
90010	Master #1	Polybag	1	100/Bulk
90011	Master #2	Polybag	1	100/Bulk
90012	Master #3	Polybag	1	100/Bulk
90013	Master #4	Polybag	1	100/Bulk
90014	Master #5	Polybag	1	100/Bulk
90015	Master #6	Polybag	1	100/Bulk
90017	Bottom #1	Polybag	1	100/Bulk
90018	Bottom #2	Polybag	1	100/Bulk
90019 NEW	Bottom #3	Polybag	1	100/Bulk
90020	Bottom #4	Polybag	1	100/Bulk
90021	Bottom #5	Polybag	1	100/Bulk
90022	Bottom #6	Polybag	1	100/Bulk
90023	Bottom #7	Polybag	1	100/Bulk

CYLINDER REKEYING KIT

Rekeying kits for Kwikset* or Schlage* comes complete with pins, springs, follower and tweezers

Schlage* kit contains:
 #0, #1, #2, #3, #5, #6, #7, #8, #9 Bottom
 #1, #2, #3 Top
 #1, #2, #3, #4, #5, #6, #7, #8, #9 Master
 10 Cap springs
 10 Cap pins
 100 Springs
 Tweezer and follower
 Plastic case

Kwikset* kit contains:
 #1, #2, #3, #4, #5, #6, #7 Bottom
 #1, #2, #3, #4, #5, #6 Master
 Top pin
 Spring entry lock
 Spring deadbolt
 "C" clip
 Cylinder cap
 Retaining pin & spring
 Tweezer and follower, gauge & cylinder removing tool
 Plastic case



CODE	TYPE	PACK	INNER	MASTER
41252	Schlage	Box	1	—
41254	Kwikset	Box	1	—

*The following registered trade name or trade mark is not owned, associated with or connected in any way with Ultra Hardware Products LLC and is used herein for illustrative purposes only.

Springlatch used for passage and privacy locksets • Deadlatch used for entry and storeroom locksets